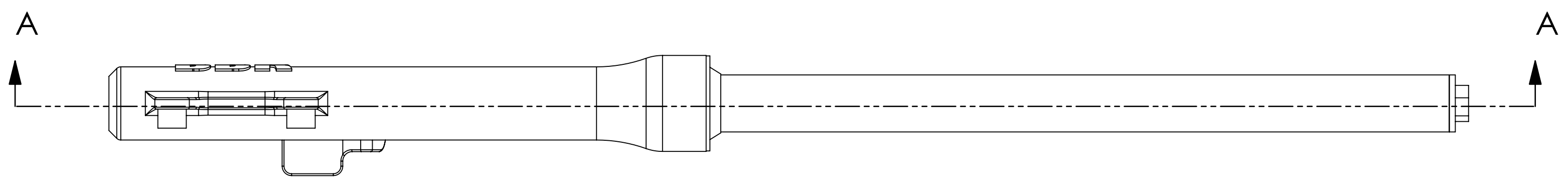
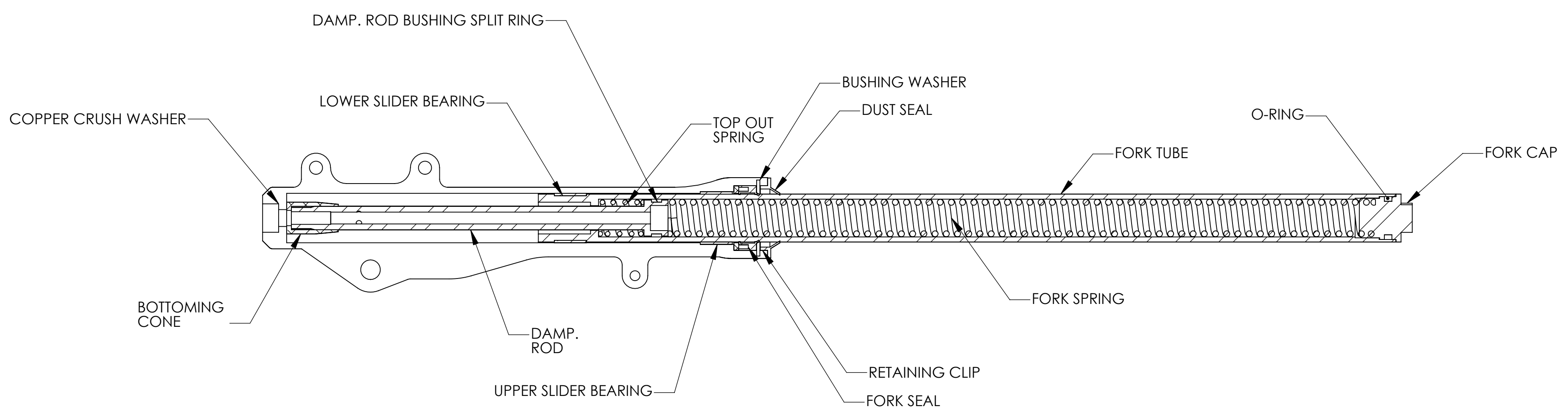


REVISIONS				
ZONE	REV.	DESCRIPTION	DATE	APPROVED



SECTION A-A



OIL VOLUME 180CC MAX / 150CC MIN - 10WT.
 110 MM AIR SPACE
 90 MM MIN AIR SPACE

BBR MOTORSPORTS
 1028 4TH ST. - A AUBURN, WA 98001
 1-888-MOTOBBR WWW.BBRMOTORSPORTS.COM

PROPRIETARY AND CONFIDENTIAL
 THE INFORMATION CONTAINED IN THIS DRAWING IS THE SOLE PROPERTY OF BBR MOTORSPORTS. ANY REPRODUCTION IN PART OR AS A WHOLE WITHOUT THE WRITTEN PERMISSION OF BBR MOTORSPORTS IS PROHIBITED.

UNLESS OTHERWISE SPECIFIED:	NAME	DATE
DIMENSIONS ARE IN MM	DRAWN	
TOLERANCES:	CHECKED	
ANGULAR: ±.5 DEGREES	ENG APPR.	
ONE PLACE DECIMAL ±.5	MFG APPR.	
TWO PLACE DECIMAL ±.25		
THREE PLACE DECIMAL ±.025		
INTERPRET GEOMETRIC TOLERANCING PER:	Q.A.	
MATERIAL		
FINISH		
DO NOT SCALE DRAWING		

TITLE: E6 ASSEMBLY		
SIZE	DWG. NO.	REV
C		
SCALE: 1:2	WEIGHT:	SHEET 1 OF 1

APPLICATION	USED ON	NEXT ASSY