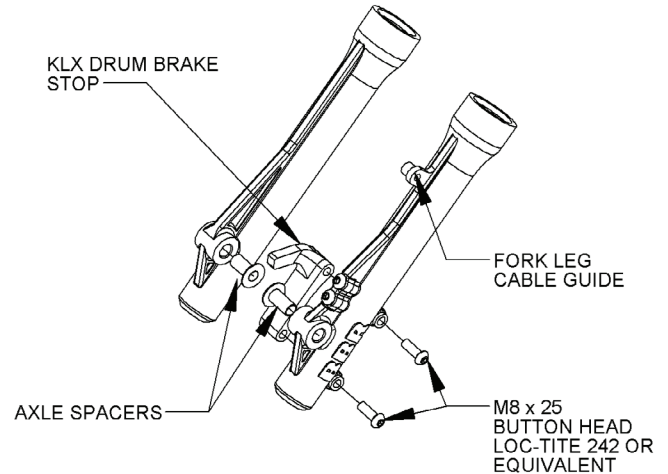




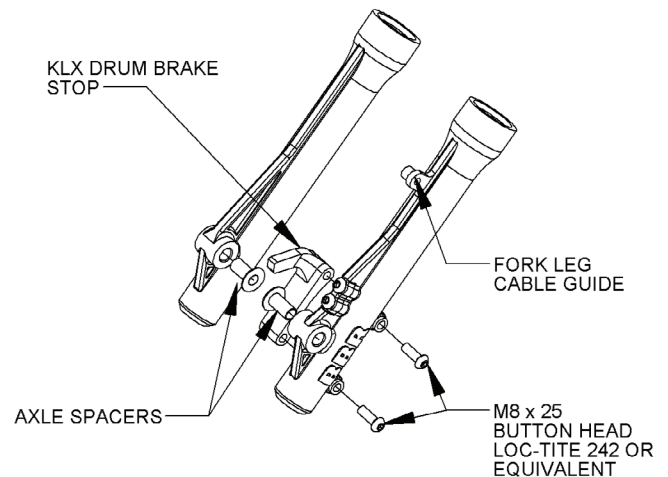
KLX110 E-6 Fork Kit (630-KLX-1104)

1. REMOVE OEM FRONT BRAKE CABLE
2. REMOVE OEM FORK LEGS
3. INSTALL E-6 FORK LEGS
(MAKE SURE AXLE SPACERS ARE INSTALLED TO THE INSIDE OF AXLE MOUNT AND THE DRUM BRAKE STOP IS INSTALLED)
4. TIGHTEN TRIPLE CLAMP TO HOLD FORK LEGS
5. INSTALL FRONT WHEEL. MAKE SURE DRUM BRAKE STOP AND BACKING PLATE LINE UP PROPERLY.
6. INSTALL AXLE (USE OEM AXLE). YOU MAY NEED TO LOOSEN TRIPLE CLAMPS TO LINE UP BOTH FORK LEGS
7. TIGHTEN FRONT AXLE. TIGHTEN TRIPLE CLAMPS
8. INSTALL BBR FRONT BRAKE CABLE. MAKE SURE BRAKE CABLE GOES THROUGH OEM CABLE GUIDE ON LOWER TRIPLE CLAMP
9. INSTALL FORK LEG CABLE GUIDE ON BRAKE CABLE AND INSTALL GUIDE ON FORK LEG.



KLX110 E-6 Fork Kit (630-KLX-1104)

1. REMOVE OEM FRONT BRAKE CABLE
2. REMOVE OEM FORK LEGS
3. INSTALL E-6 FORK LEGS
(MAKE SURE AXLE SPACERS ARE INSTALLED TO THE INSIDE OF AXLE MOUNT AND THE DRUM BRAKE STOP IS INSTALLED)
4. TIGHTEN TRIPLE CLAMP TO HOLD FORK LEGS
5. INSTALL FRONT WHEEL. MAKE SURE DRUM BRAKE STOP AND BACKING PLATE LINE UP PROPERLY.
6. INSTALL AXLE (USE OEM AXLE). YOU MAY NEED TO LOOSEN TRIPLE CLAMPS TO LINE UP BOTH FORK LEGS
7. TIGHTEN FRONT AXLE. TIGHTEN TRIPLE CLAMPS
8. INSTALL BBR FRONT BRAKE CABLE. MAKE SURE BRAKE CABLE GOES THROUGH OEM CABLE GUIDE ON LOWER TRIPLE CLAMP
9. INSTALL FORK LEG CABLE GUIDE ON BRAKE CABLE AND INSTALL GUIDE ON FORK LEG.



KLX110 E-6 Fork Kit (630-KLX-1104)

1. REMOVE OEM FRONT BRAKE CABLE
2. REMOVE OEM FORK LEGS
3. INSTALL E-6 FORK LEGS
(MAKE SURE AXLE SPACERS ARE INSTALLED TO THE INSIDE OF AXLE MOUNT AND THE DRUM BRAKE STOP IS INSTALLED)
4. TIGHTEN TRIPLE CLAMP TO HOLD FORK LEGS
5. INSTALL FRONT WHEEL. MAKE SURE DRUM BRAKE STOP AND BACKING PLATE LINE UP PROPERLY.
6. INSTALL AXLE (USE OEM AXLE). YOU MAY NEED TO LOOSEN TRIPLE CLAMPS TO LINE UP BOTH FORK LEGS
7. TIGHTEN FRONT AXLE. TIGHTEN TRIPLE CLAMPS
8. INSTALL BBR FRONT BRAKE CABLE. MAKE SURE BRAKE CABLE GOES THROUGH OEM CABLE GUIDE ON LOWER TRIPLE CLAMP
9. INSTALL FORK LEG CABLE GUIDE ON BRAKE CABLE AND INSTALL GUIDE ON FORK LEG.

